

SFP-8GFC

8G/4G/2G/1G Fibre Channel SFP+ Family

INTRODUCTION

The SFP-8GFC transceiver family are small form factor pluggable modules for bi-directional serial optical data communications such as 8x/4x/2x/1x Fibre Channel and 1000BASE Ethernet. The modules are compliant to the SFP+ MSA and are hot pluggable.

Digital diagnostic functions are available via an I2C serial bus specified in the SFP MSA SFF-8472.

The modules meet the requirements of the IEEE 802.3 Gigabit Ethernet standard and ANSI Fibre Channel specifications, and are suitable for inter-connections in Gigabit Ethernet and Fibre Channel environments. The family covers a wide range of applications, with 850nm versions available for multimode fiber and 1310nm and CWDM wavelengths available for singlemode fiber.

CWDM modules operate at nominal Coarse Wavelength Division Multiplexing (CWDM) wavelengths. Eighteen center wavelengths are available from 1271 nm to 1611 nm with each step being 20 nm. The CWDM characteristics are fully compliant to the wavelength parameters specified in ITU standards G.694.2 and G.695.

APPLICATIONS

- 8.5 Gb/s, 4.25 Gb/s, 2,125 Gb/s & 1.0625 Gb/s Fibre Channel
- 1000BASE Ethernet

FEATURES

- Up to 80 km transmission at 1550 nm
- Up to 80 km transmission at CWDM wavelengths
- Hot-Pluggable SFP+ footprint LC Optical Transceiver
- Small Form-Factor Pluggable (SFP) MSA compatible
- 18 CWDM wavelengths (λ): 1271 nm to 1611 nm
- SFF-8472 Digital Diagnostic Function
- RoHS-6 compliant (lead-free)
- Operating Case Temperature: Standard: -5°C to 70°C



LASER SAFETY

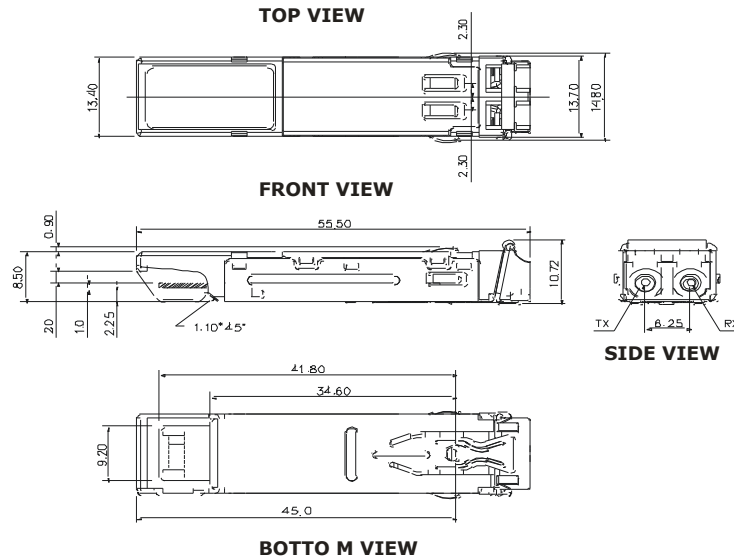
This singlemode transceiver is a Class 1 laser product. It complies with IEC-60825 and FDA 21 CFR 1040.10 and 1040.11. The transceiver must be operated within the specified temperature and voltage limits. The

Ordering Information

Part no:	Description/Application
SFP-8GFC-SD	SFP, 8/4/2/1 Gbps FC/FICON, 850nm, MM, DDM, 4.3dB, 150m
SFP-8GFC-LD	SFP, 8/4/2/1 Gbps FC/FICON, 1310nm, SM, DDM, 7dB, 1.4km
SFP-8GFC-L10D	SFP, 8/4/2/1 Gbps FC/FICON, 1310nm, SM, DDM, 7dB, 10km
SFP-8GFC-L20D	SFP, 8/4/2/1 Gbps FC/FICON, 1310nm, SM, DDM, 11dB, 20km
SFP-8GFC-L40D	SFP, 8/4/2/1 Gbps FC/FICON, 1550nm, SM, DDM, 15dB, 40km
SFP-8GFC-L80D	SFP, 8/4/2/1 GbpsFC/FICON, 1550nm, SM, DDM, 25dB, 80km

Ordering Information: CWDM SFPs

Part no:	Description/Application
SFP-8GFC-40D-Cxx	8/4/2/1 Gbps Fibre Channel/FICON, SM, DDM, CWDM 1270nm-1610nm, 15dB, 40km
SFP-8GFC-80D-Cxx	8/4/2/1 Gbps Fibre Channel/FICON, SM, DDM, CWDM 1470nm-1610nm, 25dB, 80km

Mechanical Specification:

Optical Parameters

Part no.\Parameter	Wavelength[nm]	Opt. Output Power [dBm]	Opt. Receiver Sensitivity [dBm]	Power Budget[dB]
SFP-8GFC-SD	850 nm	-8.2 to -1.5	-12.5 to -0.5	4.3
SFP-8GFC-LD	1310 nm	-8 to 0	-15 to 0.5	7
SFP-8GFC-L10D	1310 nm	-8 to 0	-15 to 0.5	7
SFP-8GFC-L20D	1310 nm	-4 to 0	-15 to 0.5	11
SFP-8GFC-L40D	1550 nm	-1.5 to +3	-16.5 to 0.5	15
SFP-8GFC-L80D	1550 nm	+0 to +4	-25 to -8	25

Optical Parameters: CWDM SFPs

Part no.\Parameter	Wavelength[nm]	Opt. Output Power [dBm]	Opt. Receiver Sensitivity [dBm]	Power Budget[dB]
SFP-8GFC-40D-Cxx	CWDM	-1.5 to +3	-16.5 to 0.5	15
SFP-8GFC-80D-Cxx	CWDM	0 to +4	-25 to -8	25

- C27 = CWDM 1270 nm
- C29 = CWDM 1290 nm
- C31 = CWDM 1310 nm
- C33 = CWDM 1330 nm
- C35 = CWDM 1350 nm
- C37 = CWDM 1370 nm
- C39 = CWDM 1390 nm
- C41 = CWDM 1410 nm
- C43 = CWDM 1430 nm
- C45 = CWDM 1450 nm
- C47 = CWDM 1470 nm
- C49 = CWDM 1490 nm
- C51 = CWDM 1510 nm
- C53 = CWDM 1530 nm
- C55 = CWDM 1550 nm
- C57 = CWDM 1570 nm
- C59 = CWDM 1590 nm
- C61 = CWDM 1610 nm

SFP-8GFC-80D-Cxx supports CWDM wavelengths 1470nm to 1610nm.

Specification subject to change without notice.