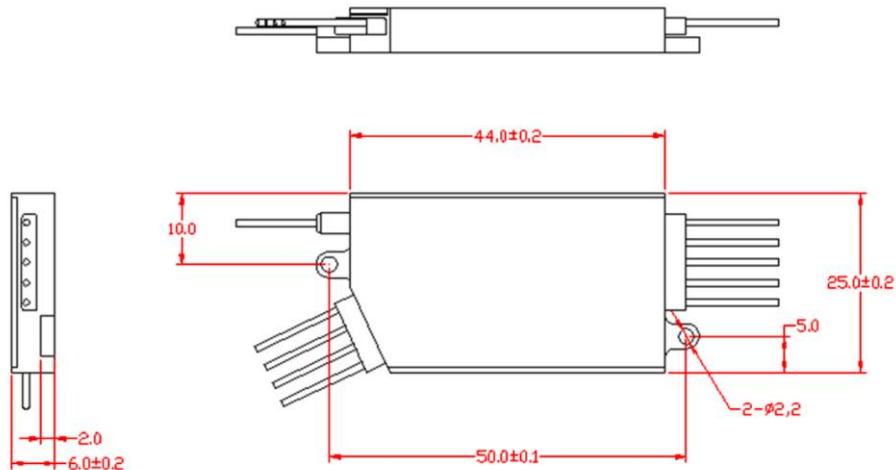


# F-CCMUX-8-2943-B25

8 channel low-band compact CWDM mux/demux for splicing enclosures



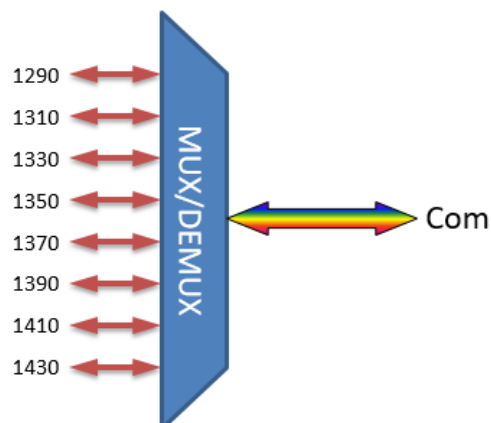
## DESCRIPTION

This compact CWDM multiplexer/demultiplexer covers 8 CWDM channels in the low band. The form factor makes it very convenient for use in fiber optic splicing enclosures.

## FEATURES

- Coarse WDM in compliance with ITU-T G.694.2
- Standard 8-channel CWDM low-band 1290 – 1430 nm, 20 nm spacing
- Very low insertion loss
- Based on thin film optics with epoxy free optical path
- Protocol transparent (support 1G, 10G etc.)
- 1 meter pigtails, 250µm primary coated Corning SMF-28 fiber
- Can be used for multiplexing or demultiplexing
- Reliability and durability tested according to Telcordia GR-1221-CORE and GR-1209-CORE

## FUNCTIONAL DESCRIPTION



**TECHNICAL DATA**

Parameter	Unit	Value
Center Wavelength	nm	1291, 1311, 1331, ... , 1431
Insertion loss	dB	< 1.8 (see note below)
Channel Spacing	nm	20
Channel Flatness	dB	< 0.3
Channel Bandwidth	nm	+/- 6.5
Channel Uniformity	dB	< 1.0
Adjacent channel isolation	dB	> 30
Non-adjacent channel isolation	dB	> 40
Directivity	dB	> 55
Return Loss	dB	> 45
PDL	dB	< 0.15
PMD	ps	< 0.1
Power Handling	mW	> 500
Operating temperature	°C	-30 to +70
Storage temperature	°C	-40 to +85
Dimensions (H x W x D)	mm	6 x 44 x 25

*Note: Insertion loss values are valid for 0 – 70 °C. For temperatures from 0 to -30 °C add 0.3 dB.*

**ORDERING INFORMATION**

Product number	Description
F-CCMUX-8-2943-B25	Fiberworks compact 8 ch. CWDM Mux/Demux C29-C43, for splice trays, 250µm pigtails