

SFP-MRD

155 Mb/s ~ 2.67 Gb/s Multirate SFP Family

INTRODUCTION

The SFP-MRD transceiver family are small form factor pluggable modules for bi-directional serial optical data communications.

The modules are hot pluggable and digital diagnostic functions are available via an I2C serial bus specified in the SFP MSA SFF-8472. Its Multirate characteristics allow the module to transmit data-rates from 155mb/s to 2.67 Mb/s. Typical protocols are STM-16FEC/OC-48FEC, STM-16/OC-48, 2G Fibre Channel, Gigabit Ethernet, Fibre Channel, STM-4/OC-12, DVB-ASI, ESCON and STM-1/OC-3.

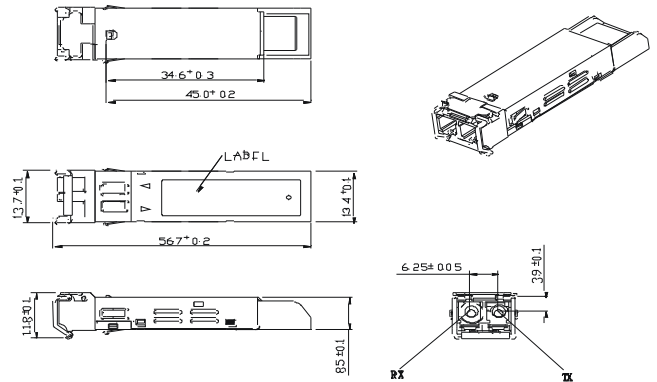
The modules meet the requirements of ITU G.957 (SDH/SONET), IEEE 802.3 Gigabit Ethernet standard and ANSI Fibre Channel specifications, and are suitable for interconnections in WDM, SDH, Gigabit Ethernet and Fibre Channel environments. This versatile family covers a wide range of applications and has modules operating over 2 km, 15 km, 40 km and 80 km transmission on singlemode fiber.

APPLICATIONS

- 155 Mb/s to 2.67 Gb/s
- CWDM Systems
- SDH/SONET
- 1000Base Gigabit Ethernet
- 1x/2x Fibre Channel

FEATURES

- Up to 40 km transmission with 1310 nm
- Up to 80 km transmission with 1550 nm
- Hot-Pluggable SFP footprint LC Optical Transceiver
- Small Form-Factor Pluggable (SFP) MSA compatible
- SFF-8472 Digital Diagnostic Function
- Fully compliant to G.957



Specification subject to change without notice.

LASER SAFETY

This singlemode transceiver is a Class 1 laser product. It complies with IEC-60825 and FDA 21 CFR 1040.10 and 1040.11. The transceiver must be operated within the specified temperature and voltage limits. The optical ports of the module needs to be terminated with an optical connector or with a dust plug.

Ordering Information

Part no:	Description/Application
SFP-MR2D	SFP, I1/4/16.1, 100Mbps-2.7Gbps, Multirate, 1310nm, SM, DDM, 10dB, 2km
SFP-MR15D	SFP, S1/4/16.1, 100Mbps-2.7Gbps, Multirate, 1310nm, SM, DDM, 13dB, 15km
SFP-MR40D	SFP, L1/4/16.1, 100Mbps-2.7Gbps, Multirate, 1310nm, SM, DDM, 25dB, 40km
SFP-MR80D	SFP, L1/4/16.2, 100Mbps-2.7Gbps, Multirate, 1550nm, SM, DDM, 28dB, 80km

Optical Parameters

Part no. Parameter	Wavelength [nm]	Opt. Output Power [dBm]	Opt. Receiver Sensitivity [dBm]	Power Budget[dB]
SFP-MR2D	1310 nm	-10 to -3	-18 to -3	8
SFP-MR15D	1310 nm	-5 to 0	-18 to -3	13
SFP-MR40D	1310 nm	-2 to +3	-27 to -9	25
SFP-MR80D	1550 nm	-2 to +3	-28 to -9	26