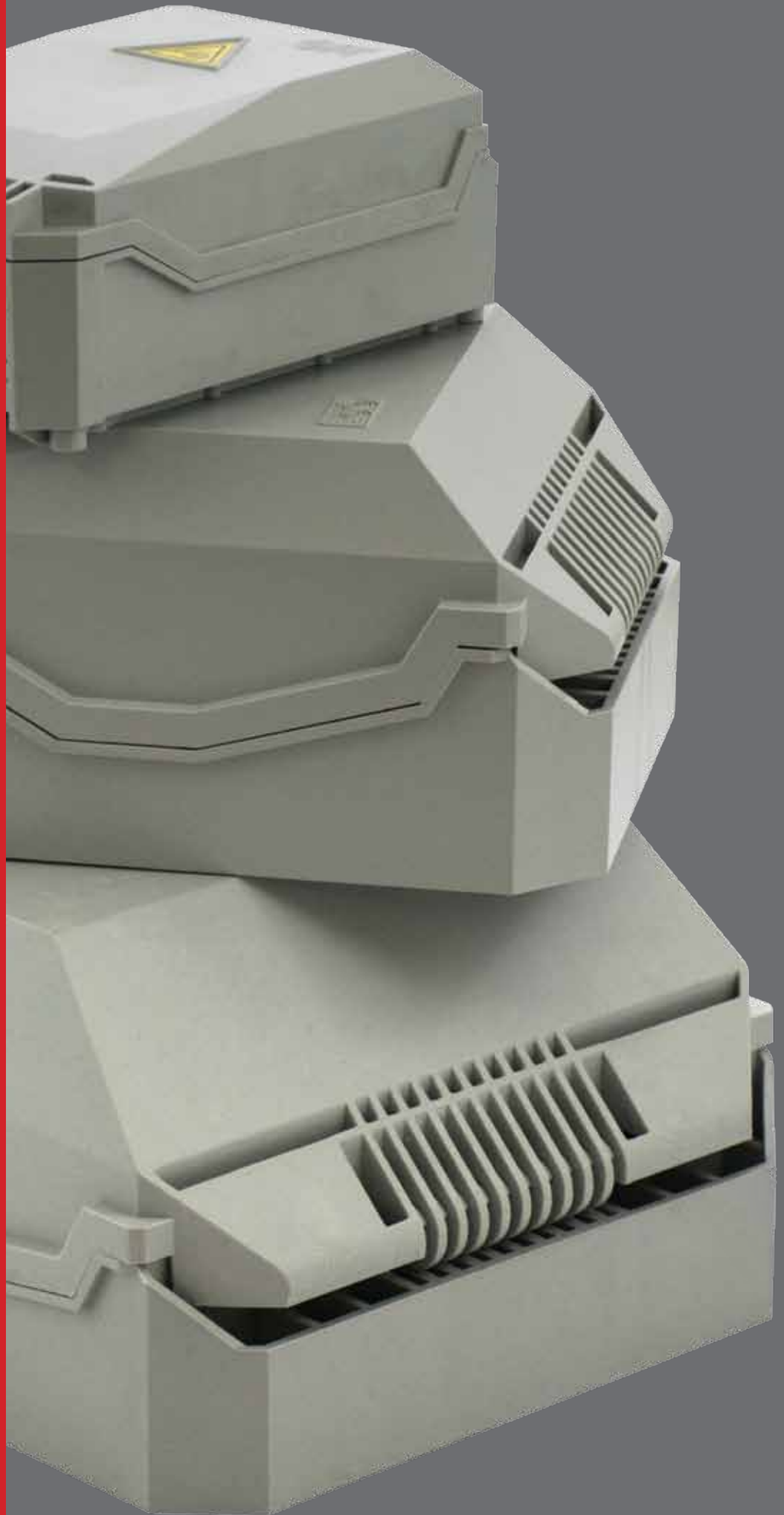


OPTOTECH

OPTICAL TECHNOLOGIES



OPT-B-2018-01

FOCUS NGB S NGB SL
FOCUS NGBKIT

ENGLISH

FIBRE OPTIC CONNECTING UNIT *SYSTEM*



Optotec Focus Solutions are a complete approach to fibre management for the FTTH networks.

It goes far beyond offering a catalogue of components or individual building blocks. It is a comprehensive set of integrated products, services, and support to ensure the successful and efficient implementation of a fibre network that will serve as a stable communications infrastructure for many years to come.

Optotec FOCUS solutions include both a complete end to end products offering and design-through-operation services to ensure an easy fibre managing solution implementation.

The broad scope of Optotec's products line allows one-stop shopping.

Fiber optic products' for Central Office includes racks, shelves, termination boxes all with cassettes and trays to manage single circuits and single elements solutions. Outside plant products include outdoor cabinets, joint closures (aerial, buried), field installable connectors, patch-cords, splice components, engineering services and training.

At the premises end Optotec offers solutions to all typical lay-out; from out-lets terminations to small wall mount boxes, splice fusion protection sleeves, mechanic splices devices, field-mountable connectors, equipments for installation.

FBT, PLC and patch-cords filters are completing a wide range of products for all passive solutions.

NGB NEXT GENERATION PATCH AND SPLICE BOXES



FOCUS NGB line, designed with simple and innovative design appealing and linear look, **properly fits PON and FTTH needs**. Reliable and **able to match the highest international quality standard** (IEC 61753) in order to operate in C (controlled) – G (outside) – A (aerial) categories.

Suitable both for **internal** (buildings, technical rooms...) and **external application** (wall, pole, cabinet, pedestal...), they can be used in **dust and water presence**.

The **full selection** of available **accessories** allows the management of different types of cables and fibers (G652 and

G657), besides the possibility to obtain different versions of sole splicing or both patch and splice.

By using **FOCUS SAM modules** it is possible to **match different splice capacity**, applying some protection systems both mechanical (FIBERCLIP) and heat-shrinkable (FIBERTERM). Moreover the **boxes** are designed for **allocating the patching systems with** the main common **connectors** on the market, in addition to the locally **mounted ones, PLC and optical reflectors**.

FOCUS NGB series is featured by a variety of **lock security systems** against accidental or unauthorized openings.

APPLICATION

Access network subscriber termination

Optical distribution premises box

TLC - FTTH - PON networks

TECHNICAL FEATURES

Reliable – international standards

Multifunctional – patch, splice or both

Compact – highest performance in minimum space

Multitasking – internal and external application

Easy installation – simple and with a full accessories' selection

Flexible – customized

Approachable - costs/benefits



MAX SIZE. IN mm		
Width	Height	Depth
216	325	125
165	255	110
110	170	70

* Integrated pole fixing system

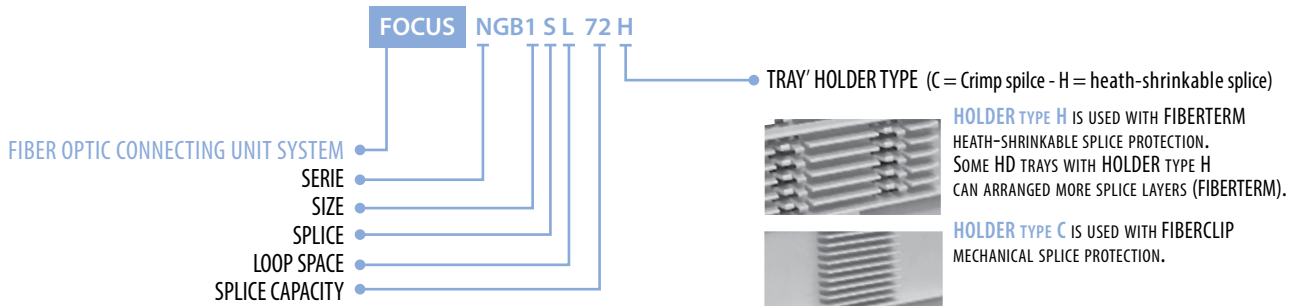
FOCUS-NGB-BASE (empty version) includes these items:

- 1 Base
- 1 Cover
- 1 Cover foam gasket
- 1 Laser beam label 25mm
- 4 Fishers' screw anchor
- 1 Screw (NGB0)
- 2 Latch assembly (NGB1 and NGB2)
- 2 Cover locks (NGB1 and NGB2)

NGB0-S and NGB1-SL

The sole splice boxes in the NGB0 S and NGB1 SL versions, allow to splice a high fiber amount in a small space. Compact, functional, quick&easy to install, they represent the safest and most versatile solution in the FTTX networks. In the inside, it is possible to splice, protect and manage the fiber, both the G652 (radius min= 30mm) and the low bending G657 (radius min=20 mm) ones and to allocate the uncut cables (loose tubes). A full accessories set for the management of the input and output optical cables is available.

TO UNDERSTAND OPTOTEC'S MODULES CONCEPT



NGB 0 boxes only are equipped with an integrated system for mounting on pole. For NGB 1 and NGB 2 boxes pole mounting it is recommended to order separately also the **FOCUS-NGB KIT-PMK**.

BOX
FOCUS NGB0 S 48H

BOX **NGB**
SIZE **0**
SPLICE ONLY **S**

48H
4 TRAYS RHD TYPE TO SPLICE ONLY
WITH HOLDER TYPE **H** TO FIBERTERM SPLICES
(12 SPLICES PER TRAY)

MAX. NUMBER CABLE ENTRY
(IN + OUT) 3



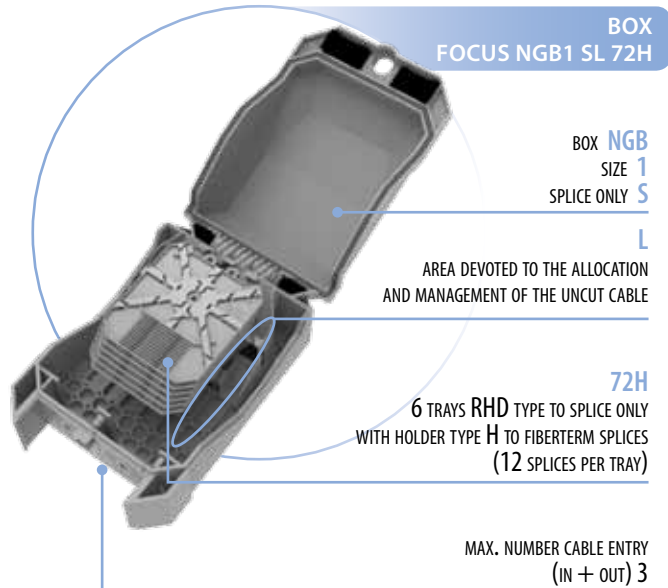
BOX
FOCUS NGB1 SL 72H

BOX **NGB**
SIZE **1**
SPLICE ONLY **S**

L
AREA DEVOTED TO THE ALLOCATION
AND MANAGEMENT OF THE UN-cut CABLE

72H
6 TRAYS RHD TYPE TO SPLICE ONLY
WITH HOLDER TYPE **H** TO FIBERTERM SPLICES
(12 SPLICES PER TRAY)

MAX. NUMBER CABLE ENTRY
(IN + OUT) 3



HERE BELOW NGB-S AND NGB-SL OPTOTEC'S PROPOSAL

REFERENCE PN	DESCRIPTION
FOCUS-NGB0-S-48H	NGB Box - size 0 - SPLICE only. This box includes 4 trays RHD with holder H to FIBERTERM splices. (Splices per tray: 12 - Tot. splices per box: 48)
FOCUS-NGB0-S-48C	NGB Box - size 0 - SPLICE only. This box includes 4 trays RHD with holder C to FIBERCLIP splices. (Splices per tray: 12 - Tot. splices per box: 48)
FOCUS-NGB1-SL-72H	NGB Box - size 1 - SPLICE and cable LOOP space. This box includes 6 trays RHD with holder H to FIBERTERM splices - (Splices per tray: 12 - Tot. splices per box: 72)
FOCUS-NGB1-SL-72C	NGB Box - size 1 - SPLICE and cable LOOP space. This box includes 6 trays RHD with holder C to FIBERCLIP splices - (Splices per tray: 12 - Tot. splices per box: 72)

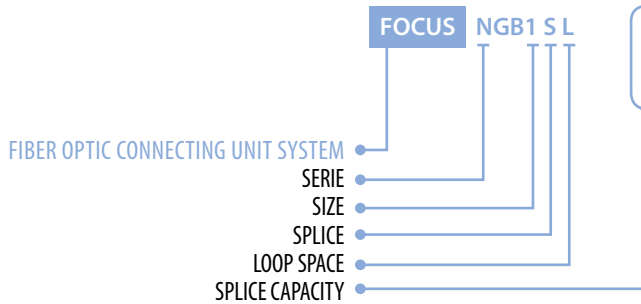
CUSTOMIZABLE NGB1-S NGB2-SL

The compact design and the multifunctional variety of FOCUS SAM trays allows the NGB1 and NGB2 boxes to be suitable to be customized in order to match clients' needs.

In the inside, it is possible to mount different splicing capacity modules up to 96 fibers/module.

NGB1-S and NGB2-SL versions allow a high fiber splicing capability, an easy management of the uncut cables (NGB2-SL), placing the uncut fiber tubes either on the right or on the left according to the installation needs.

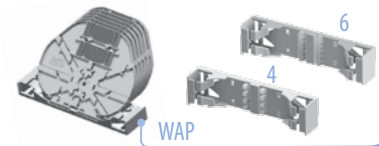
TO UNDERSTAND OPTOTEC'S MODULES CONCEPT



NGB SPLICE CAPACITY DEPENDS ON THE SPLICING MODULES QUANTITY AND TYPE NEEDS.
IT IS WORKABLE TO COMBINE FOCUS SAM HD MODULES WITH WAP6 OR WAP4 HAVING BOTH THE SAME ENCUMBRANCE.

FOCUS SAM HD

NGB BOX CAN ACCOMODATE A MAXIMUM OF 4 SAM MODULES CONTAINING 4 AND 6 TRAYS



NGB 0 boxes only are equipped with an integrated system for mounting on pole.
For NGB 1 and NGB 2 boxes pole mounting it is recommended to order separately also the FOCUS-NGB KIT-PMK.

BOX FOCUS NGB1 S

BOX NGB
SIZE 1
SPLICE ONLY S

SUPPORT FOR CABLE TUBES
ENTRANCE MANAGEMENT

MAX. NUMBER CABLE ENTRY
(IN + OUT) 3

UC
1 UNIVERSAL COVER FOR HD TRAY



BOX FOCUS NGB2 SL

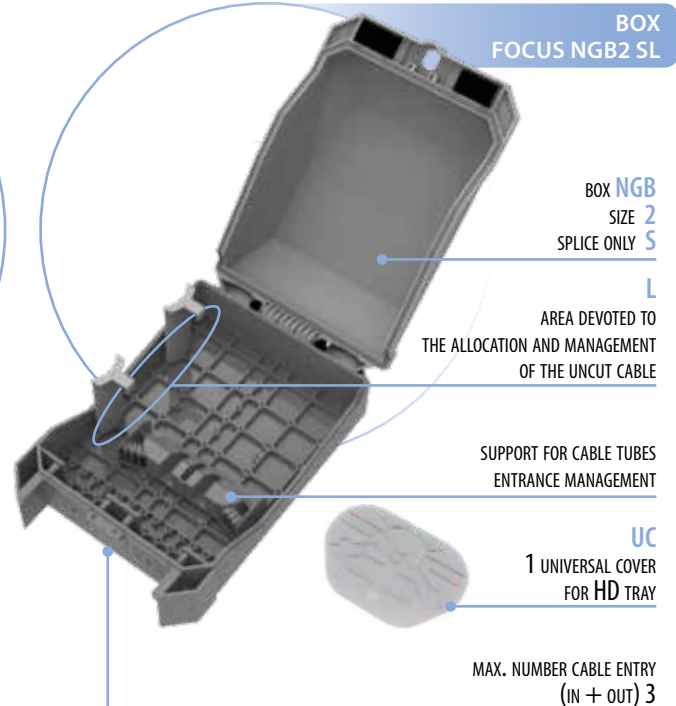
BOX NGB
SIZE 2
SPLICE ONLY S

L
AREA DEVOTED TO
THE ALLOCATION AND MANAGEMENT
OF THE UNCUT CABLE

SUPPORT FOR CABLE TUBES
ENTRANCE MANAGEMENT

UC
1 UNIVERSAL COVER
FOR HD TRAY

MAX. NUMBER CABLE ENTRY
(IN + OUT) 3



HERE BELOW NGB-S AND NGB-SL OPTOTEC'S PROPOSAL

REFERENCE PN	DESCRIPTION
FOCUS-NGB1-S	NGB Box - size 1 - SPLICE only. This box includes arrangement cable entry system and 1 Universal Cover for 1 High Density tray belonging to series SAM and SAMR
FOCUS-NGB2-SL	NGB Box - size 2 - SPLICE and cable LOOP space. This box includes arrangement cable entry system and 1 Universal Cover for 1 High Density tray belonging to series SAM and SAMR

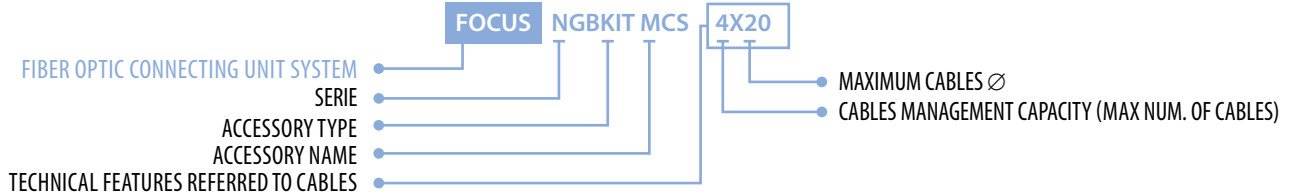
www.optotec.it

The information given herein, including drawings illustration and schematics which are intended for illustration purposes only, is believed to be reliable. However, Optotec makes no warranties as to its accuracy or completeness and disclaims any liability in connection with its use. Optotec' obligations shall only be as set forth in Optotec' Standard Terms and Conditions of Sale for this product and in no case will Optotec be liable for any incidental, indirect or consequential damages arising out of the sale, resale, use or misuse of the product. Users of Optotec products should make their own evaluation to determine the suitability of each such product for the specific application.

NGBKIT TO MULTIPLE SEAL FOR MANY CABLES

FOCUS NGBKIT allows the management of many cables both in entrance and in exit inside the boxes belonging to the FOCUS NGB serie. NGBKIT PG NXN are multiple cable glands, whereas the FOCUS MSC are silicone rubber gaskets designed by Optotec. Depending on the specific needs, every NGBKIT could be suited to all the boxes.

TO UNDERSTAND NGBKIT TO MULTIPLE SEAL



FOCUS-NGBKIT-PG16-6X4

KIT FOR NGB 0, 1 AND 2
1 CABLE GLAND PG16
FOR 6 CABLES Ø 4 mm

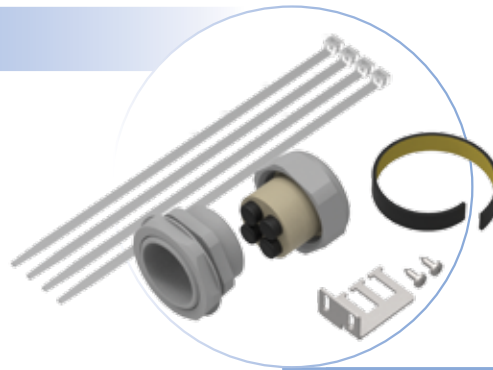
CABLES BRACKET, SCREWS, SELF-ADHESIVE
FOAM AND TIE-WRAPPS (INCLUDED)



FOCUS-NGBKIT-PG29-4X10

KIT FOR NGB 1 AND 2
1 CABLE GLAND PG29
FOR 4 CABLES Ø10 mm

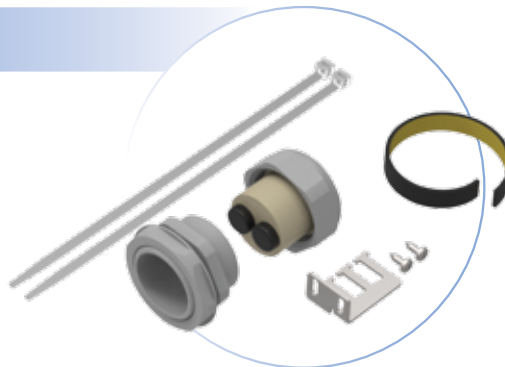
CABLES BRACKET, SCREWS,
SELF-ADHESIVE FOAM
AND TIE-WRAPPS (INCLUDED)



FOCUS-NGBKIT-PG29-2X13

KIT FOR NGB 1 AND 2
1 CABLE GLAND PG29
FOR 2 CABLES Ø13 mm

CABLES BRACKET, SCREWS,
SELF-ADHESIVE FOAM
AND TIE-WRAPPS (INCLUDED)



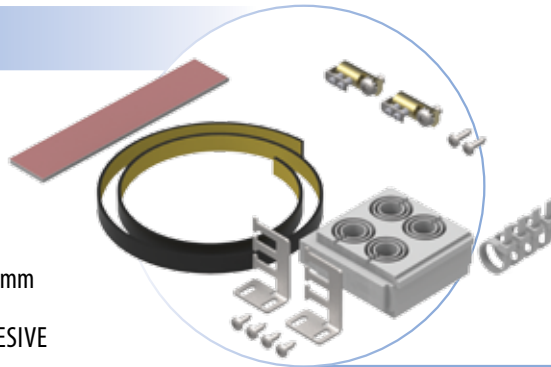
NGBKIT DEVICES FOR MICROCABLES AND PATCHCORDS COLD SEALING

FOCUS-NGBKIT-MCS-4X20

KIT FOR UNCUT CABLE

KIT FOR NGB 1 AND 2 BOXES
1 MULTIPLE CABLE SEAL GASKET
MADE OF SILICON RUBBER
FOR 4 CABLES OR 2 UNCUT CABLES Ø 20 mm

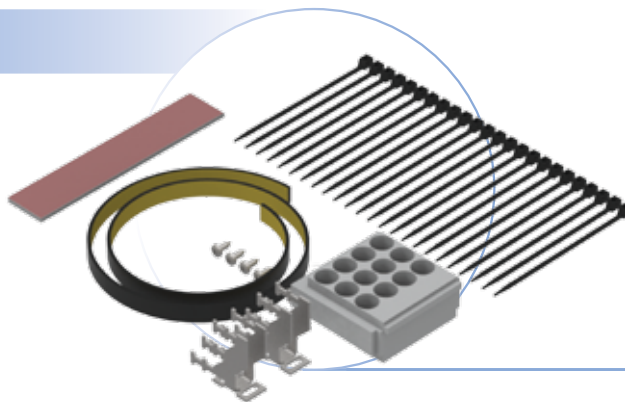
CABLES BRACKET, SCREWS, SELF-ADHESIVE
FOAM AND TIE-WRAPS (INCLUDED)



FOCUS-NGBKIT-MCS-12X10

KIT FOR NGB 1 AND 2 BOXES
1 MULTIPLE CABLE SEAL GASKET
MADE OF SILICONE RUBBER
FOR 12 CABLES Ø 10 mm

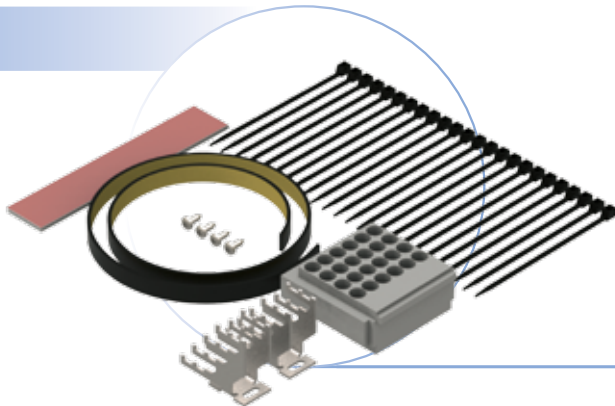
CABLES BRACKET, SCREWS,
SELF-ADHESIVE FOAM
AND TIE-WRAPS (INCLUDED)



FOCUS-NGBKIT-MCS-24X6

KIT FOR NGB 1 AND 2 BOXES
1 MULTIPLE CABLE SEAL GASKET
MADE OF SILICONE RUBBER
FOR 24 CABLES Ø 6 mm

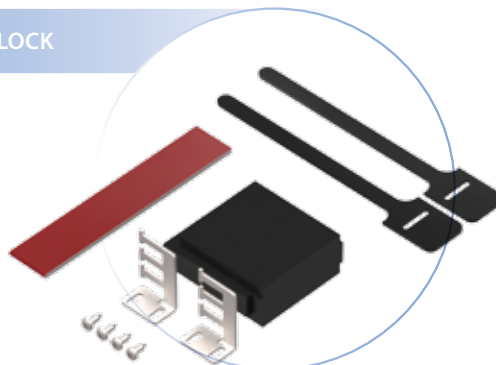
CABLES BRACKET, SCREWS,
SELF-ADHESIVE FOAM
AND TIE-WRAPS (INCLUDED)



FOCUS-NGBKIT-MCS-PATCHCORD BLOCK

KIT FOR NGB 1 AND 2
1 GASKET OF POLYURETHANE FOAM BLOCK
48 CABLES CAPACITY

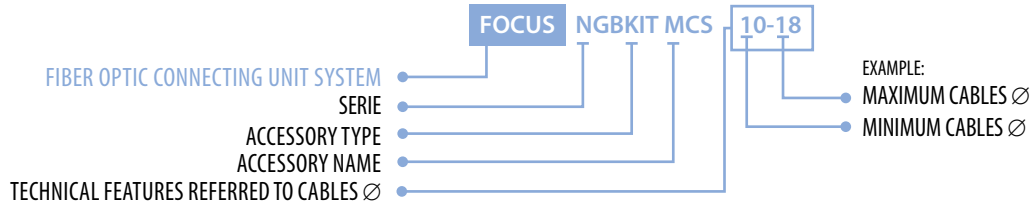
CABLES BRACKET, SCREWS,
SELF-ADHESIVE FOAM
AND TIE-WRAPS (INCLUDED)



NGBKIT TO SINGLE SEAL FOR TUBE OR CABLE

FOCUS NGBKIT are single cable glands that Optotec suggests to pair with all boxes of FOCUS NGB serie. Those KITS allow to manage both the entrance and the exit of the cable and the corrugated tube too. FOCUS NGBKIT PG N-N TUBE and FOCUS NGBKIT CABLE CLAMP are suitable for tube management, whereas FOCUS NGBKIT PG N-N- are designed for cables. According to specific needs, it's possible to pair the NGBKIT to the NGB box.

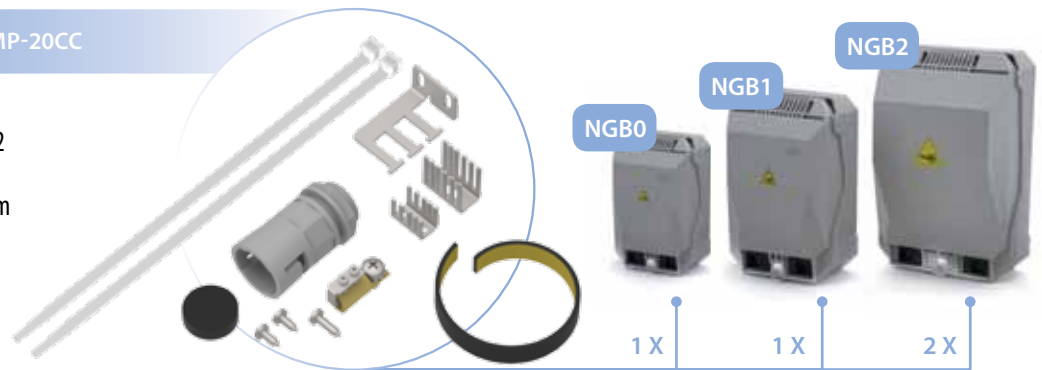
TO UNDERSTAND NGBKIT TO SINGLE SEAL



FOCUS-NGBKIT-CABLE CLAMP-20CC

KIT FOR NGB BOXES SIZE 0, 1 AND 2
1 CABLE GLAND SINGLE SEAL
FOR 1 CORRUGATED TUBE Ø 20 mm

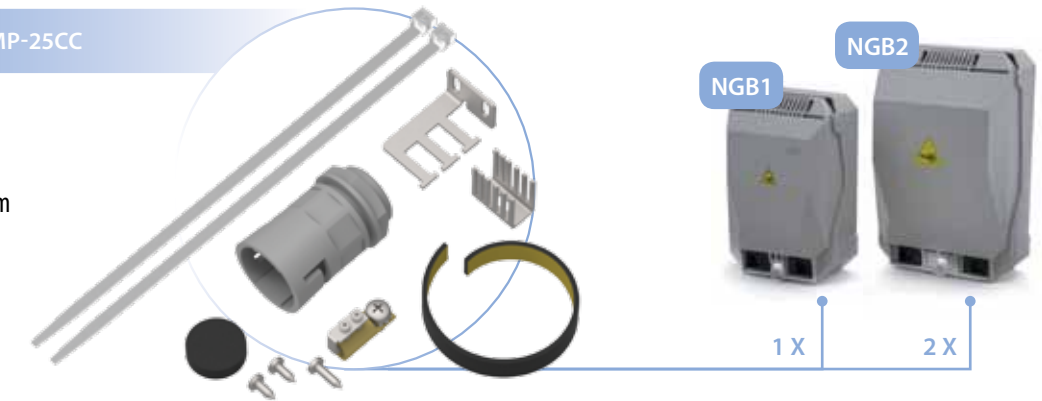
HOLDER, CABLE CLAMP,
CABLES BRACKET, SCREWS,
SELF-ADHESIVE FOAM
AND TIE-WRAPPS (INCLUDED)



FOCUS-NGBKIT-CABLE CLAMP-25CC

KIT FOR NGB BOXES SIZE 1 AND 2
1 CABLE GLAND SINGLE SEAL
FOR 1 CORRUGATED TUBE Ø 25 mm

HOLDER, CABLE CLAMP,
CABLES BRACKET, SCREWS,
SELF-ADHESIVE FOAM
AND TIE-WRAPPS (INCLUDED)



FOCUS-NGBKIT-PG21-25 TUBE

KIT FOR NGB BOXES SIZE 1 AND 2
1 CABLE GLAND PG29 SINGLE SEAL
FOR 1 TUBE Ø 25 mm

HOLDER, CABLE CLAMP,
CABLES BRACKET, SCREWS,
SELF-ADHESIVE FOAM
AND TIE-WRAPPS (INCLUDED)



NGBKIT TO SINGLE SEAL FOR TUBE OR CABLE

FOCUS-NGBKIT-PG11-05-10

KIT FOR NGB BOXES SIZE 0, 1 AND 2
1 CABLE GLAND PG11 SINGLE SEAL
FOR 1 CABLE \varnothing 5~10 mm

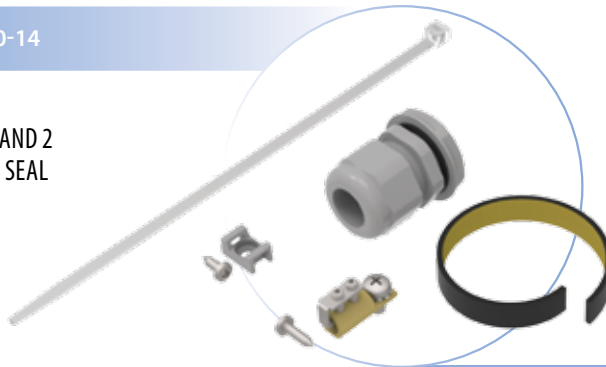
CABLES BRACKET, SCREWS, SELF-ADHESIVE
FOAM AND TIE-WRAP (INCLUDED)



FOCUS-NGBKIT-PG16-10-14

KIT FOR NGB BOXES SIZE 0, 1 AND 2
1 CABLE GLAND PG16 SINGLE SEAL
FOR 1 CABLE \varnothing 10~14 mm

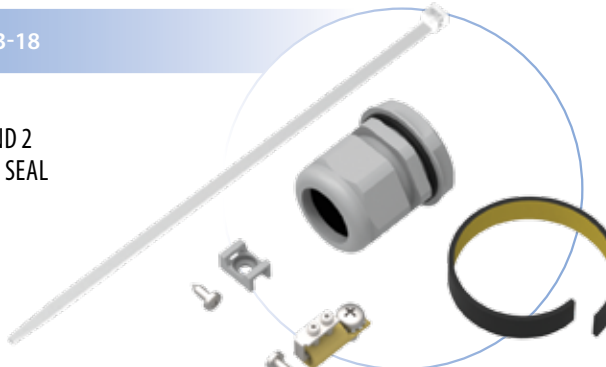
CABLES BRACKET, SCREWS,
SELF-ADHESIVE FOAM
AND TIE-WRAP (INCLUDED)



FOCUS-NGBKIT-PG21-13-18

KIT FOR NGB BOXES SIZE 1 AND 2
1 CABLE GLAND PG21 SINGLE SEAL
FOR 1 CABLE \varnothing 13~18 mm

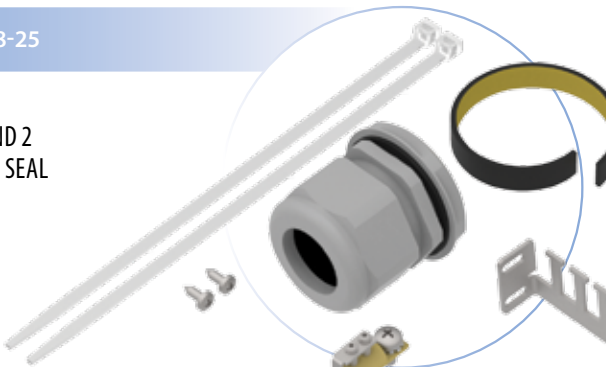
CABLES BRACKET, SCREWS,
SELF-ADHESIVE FOAM
AND TIE-WRAP (INCLUDED)



FOCUS-NGBKIT-PG29-18-25

KIT FOR NGB BOXES SIZE 1 AND 2
1 CABLE GLAND PG29 SINGLE SEAL
FOR 1 CABLE \varnothing 18~25 mm

CABLES BRACKET, SCREWS,
SELF-ADHESIVE FOAM
AND TIE-WRAP (INCLUDED)



ABOUT US

Founded in 1992, Optotec was born with the aim to provide high quality fiber optic products to the European markets. Since 1997, Optotec becomes part of the NTET Group.

Optotec provides a complete range of solutions for the telecommunications and FTTH networks. We are able to offer a variety of products that connect, protect and seal the optical fiber network which includes:
Central Office (CO) - racks, sub-racks and passive components;
Outside Plant (OSP) - closures, cabinets, pedestals;
Customer Premises (CP) - termination boxes and outlets;

as well as other customized products!

Through a combination of strength and leadership in the national market, Optotec became an innovative and cost effective solutions partner for communications infrastructure.

The headquarters in Milan is committed to research and development, manufacturing and customer service support. In addition to the leadership in Italy, Optotec expanded its activity throughout Europe with local partnership, designing and manufacturing customized products based on specific requirements.

WHERE WE ARE

ADDRESS

Via Bernardino Zenale, 44
20024 Garbagnate Milanese (MI)
ITALY

CONTACTS

PHONE:

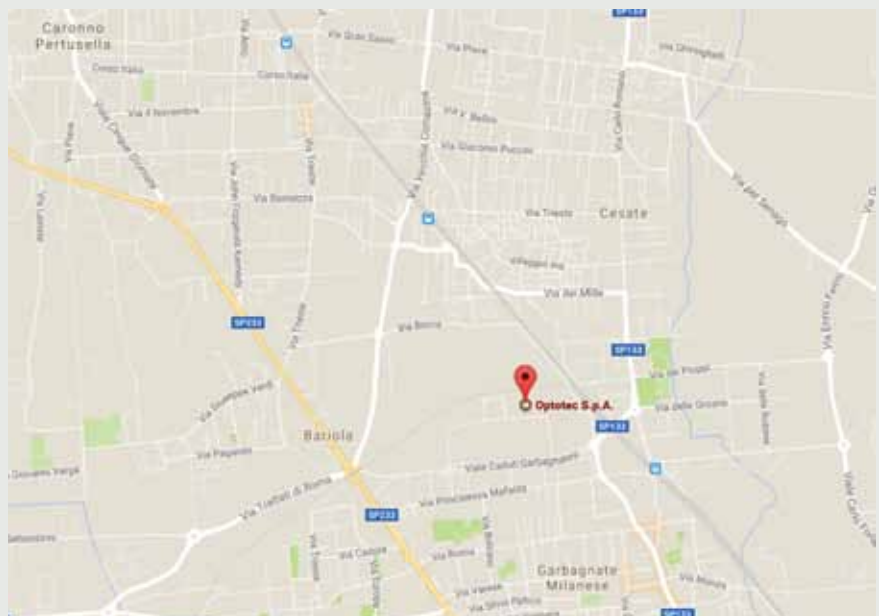
+39 02 99515.1

E-MAIL:

info@optotec.it

WEBSITE:

www.optotec.it



THE GROUP



is made of Italian companies that mutually cooperate in researching, designing, producing and trading products for the of telecommunications, energy, transport and industry sectors.



S.P. 14 Zona Industriale Piano Tavola
95040 Belpasso (CT) - Italy
ph. +39 095 756 35 1 - fax +39 095 756 35 44
www.ntetgroup.com



Via Zenale, 44
20024 Garbagnate Mil.se (MI) - Italy
ph. +39 02 99515.1 - fax +39 02 99515.222
info@optotec.it - www.optotec.it



Viale Italia, 86
20020 Lainate (MI) - Italy
ph. +39 02 99515290 - fax +39 02 93799370
info@disotec.it - www.disotec.it



Via Zenale, 40/A
20024 Garbagnate Mil.se (MI) - Italy
ph. +39 02 9902102 - fax +39 02 99020095
www.oecitaly.it



via Bernardino Zenale, 44
20024 Garbagnate Milanese (MI) - Italy
ph. +39 02 99515 1 - fax +39 02 99515 222
info@optotec.it

www.optotec.it